

we
are
arco

product
Extend 2

we
make
tables

designer
Arco Design Team

arco

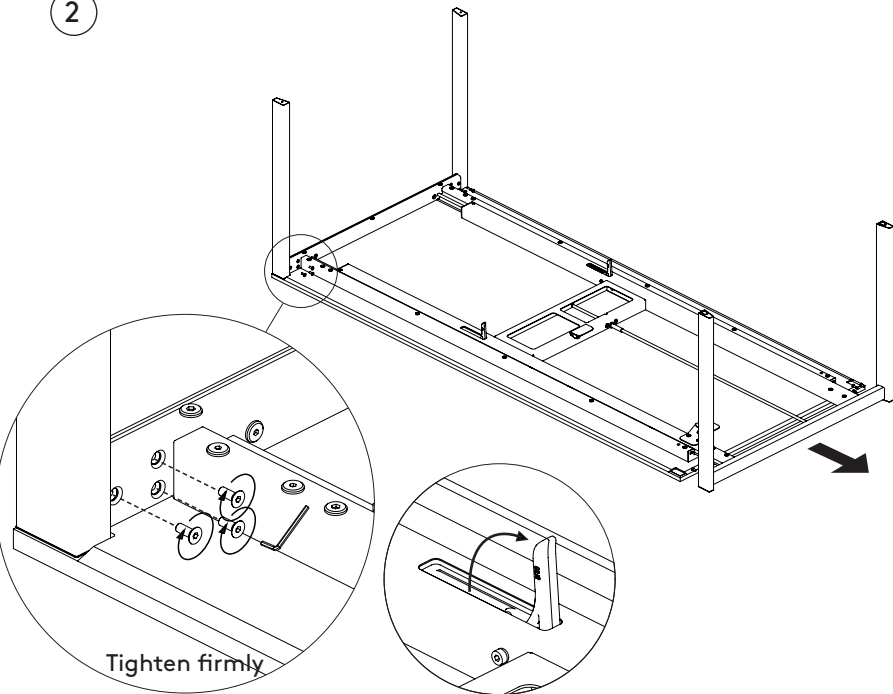
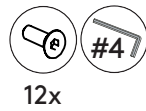
Year
2023

Assembly
instructions

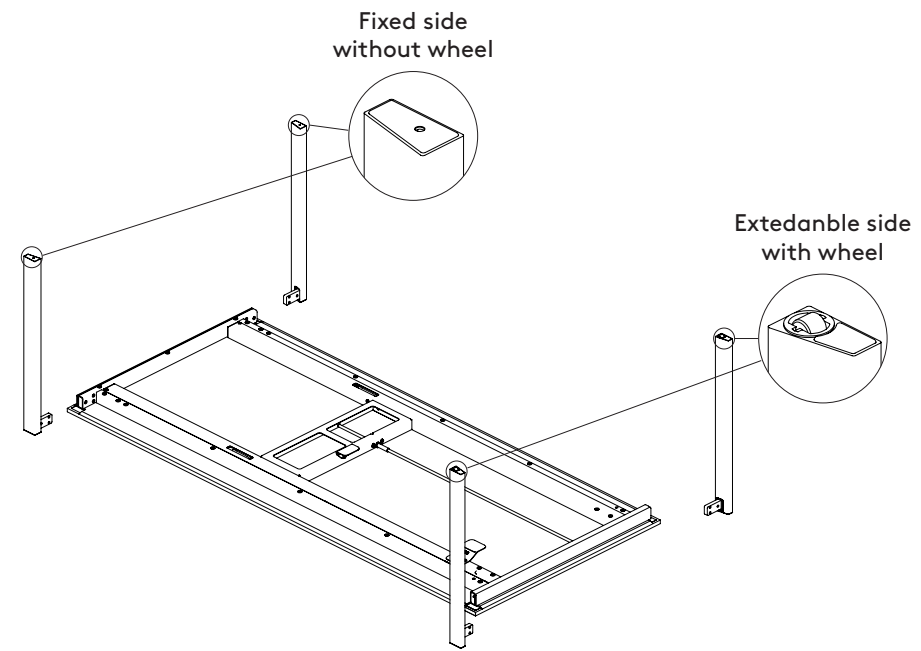
Please follow step 1 - 13



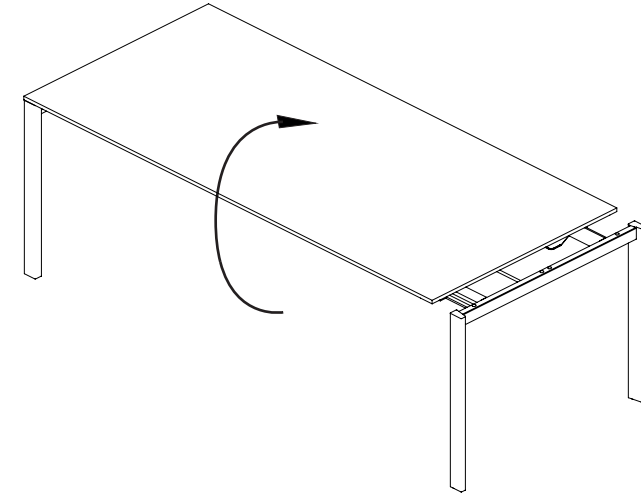
2



1

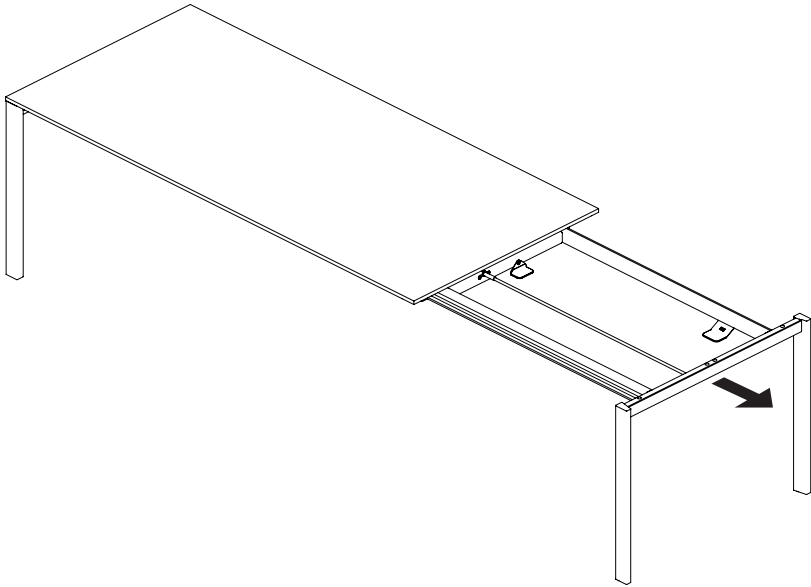


3

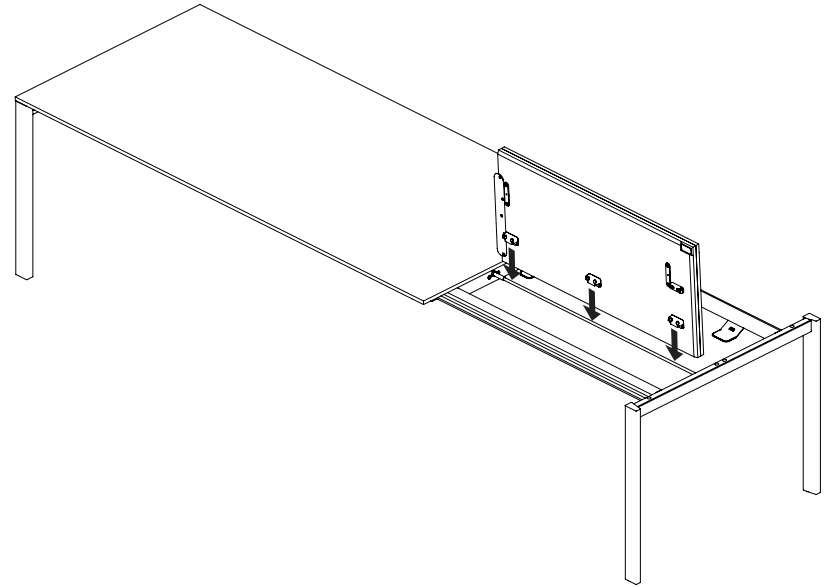


Turn over while lifting

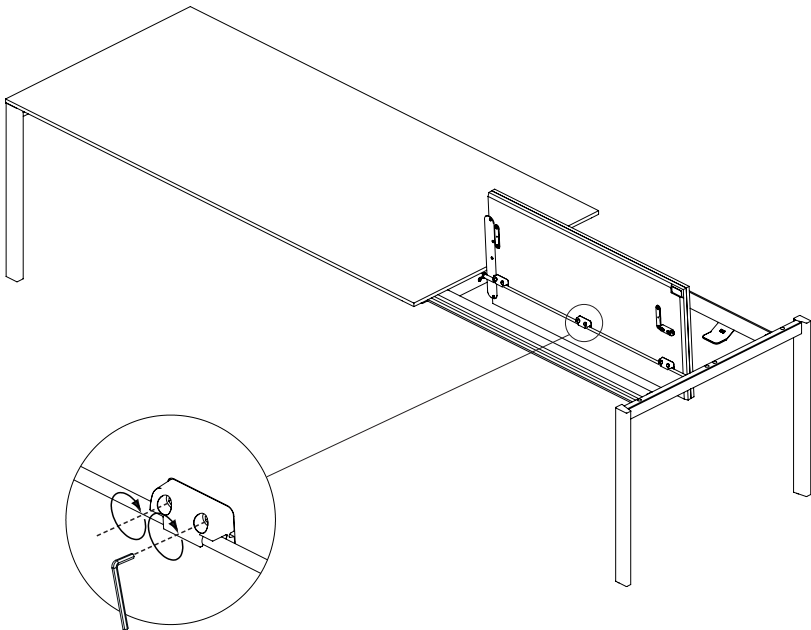
4



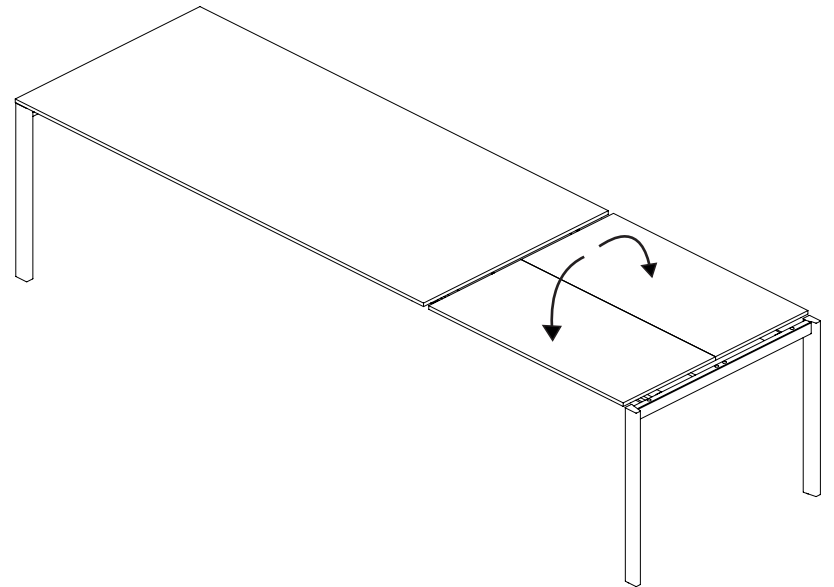
5



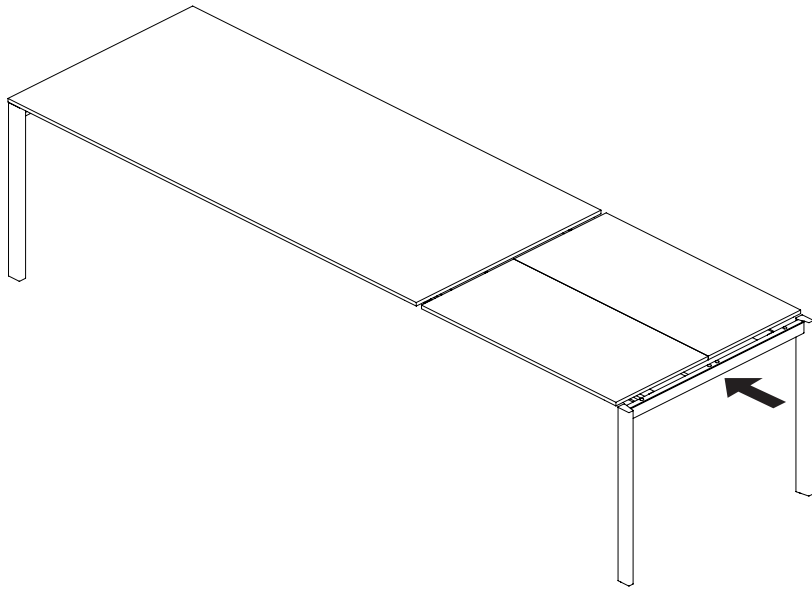
6



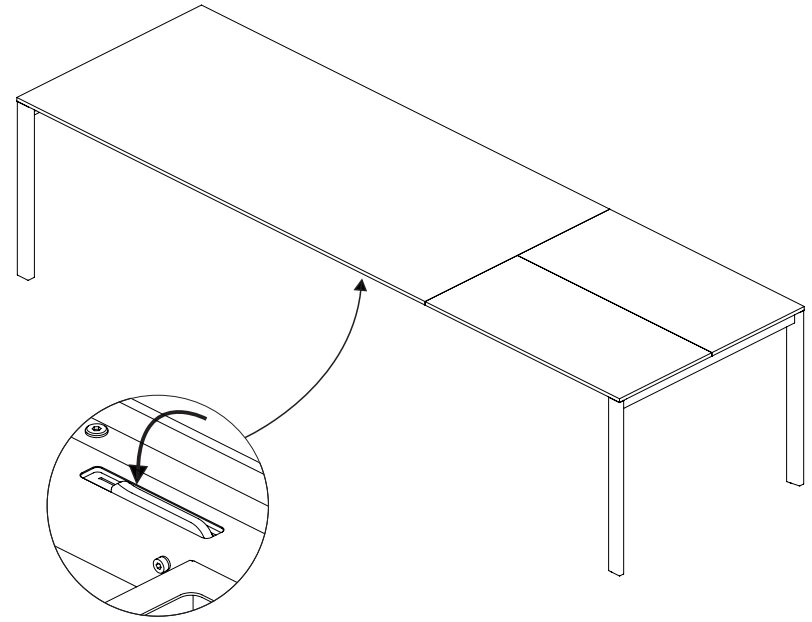
7



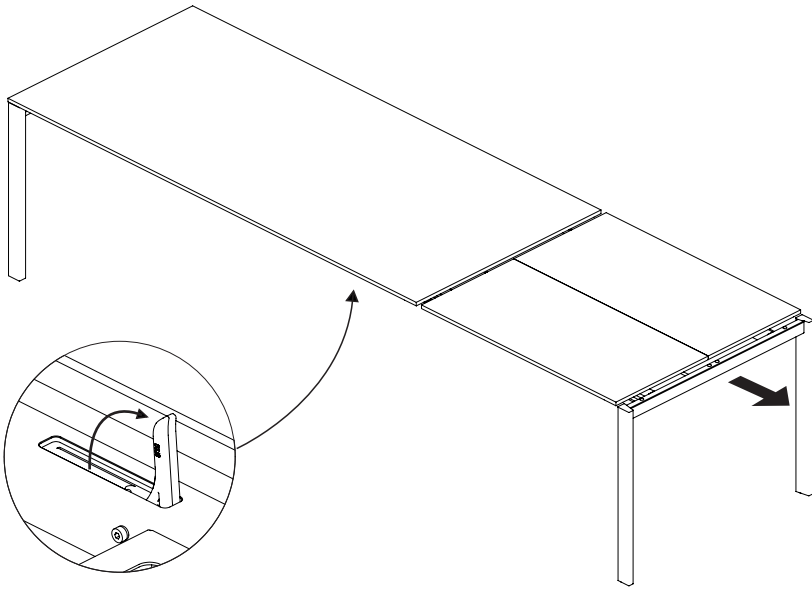
8



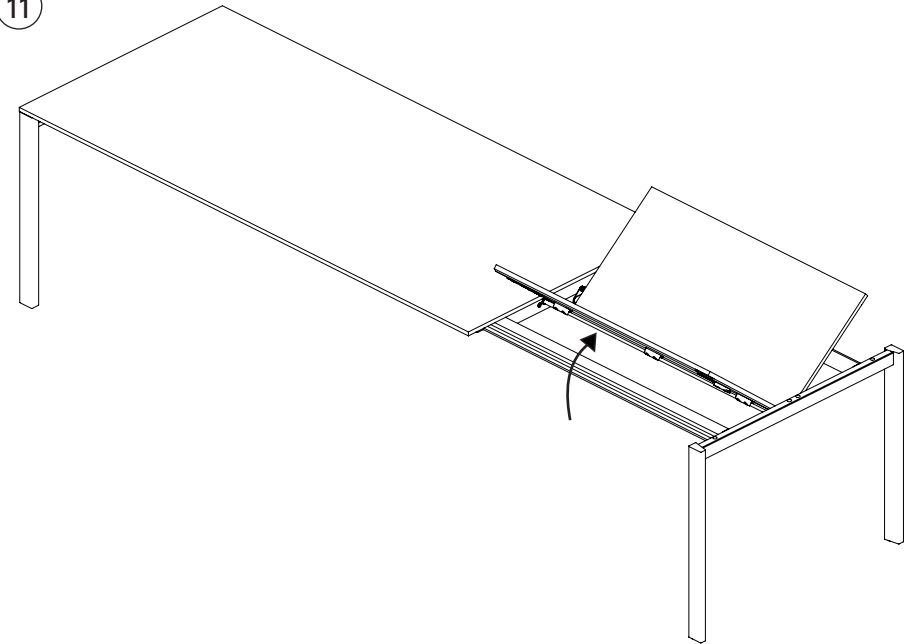
9



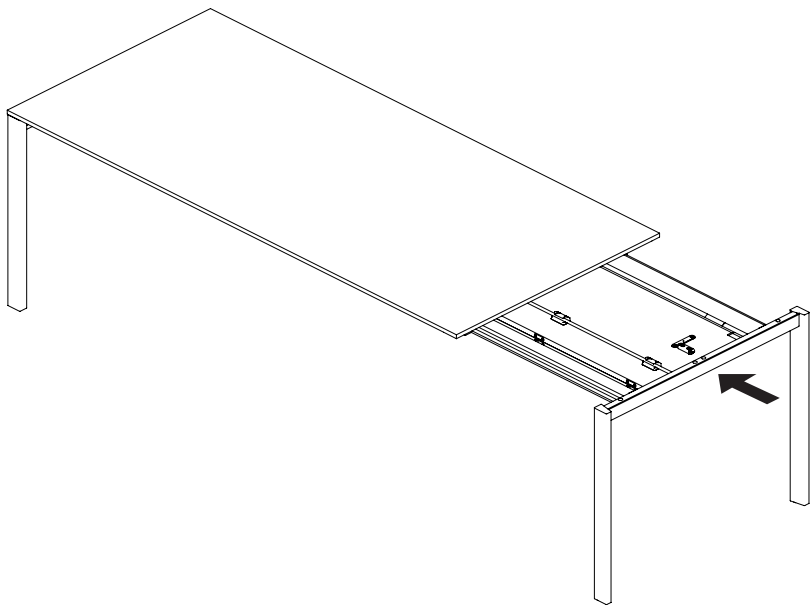
10



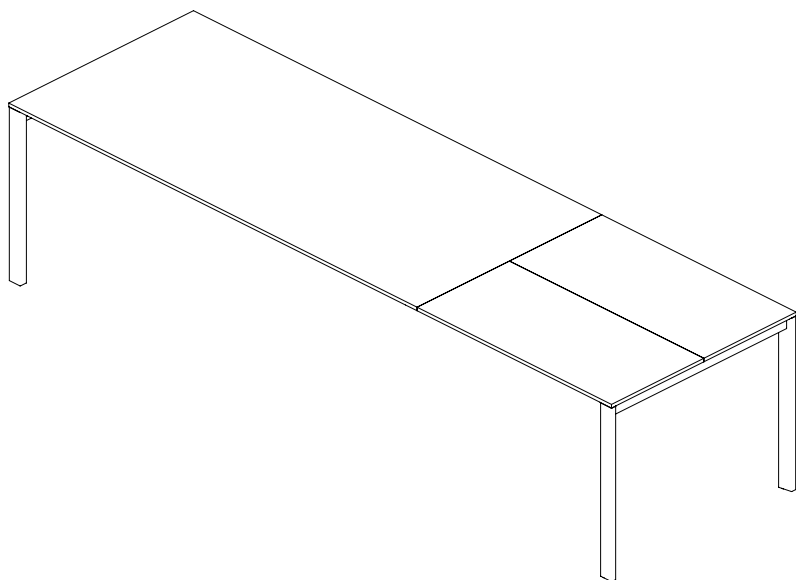
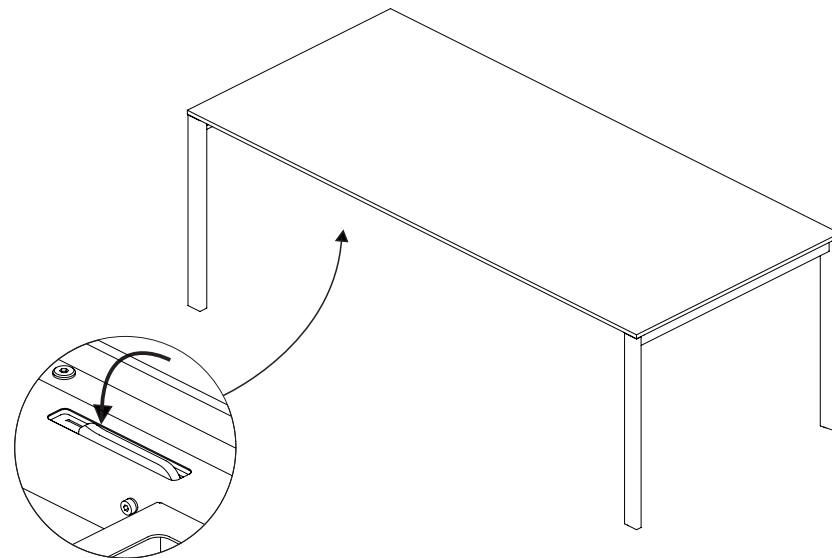
11



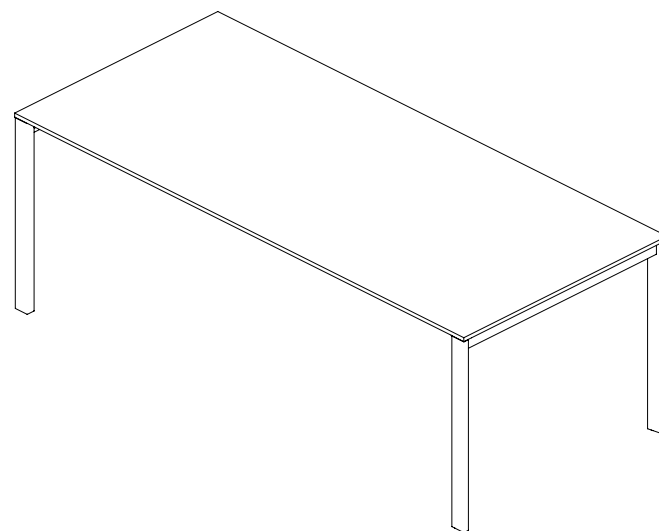
12



13



To avoid differences in color between the table top and the extension top, the extension top should be exposed to sunlight for a few months.



Afterwards the extension top can be retracted.

we
are
arco

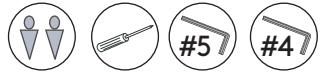
we
make
tables

arco

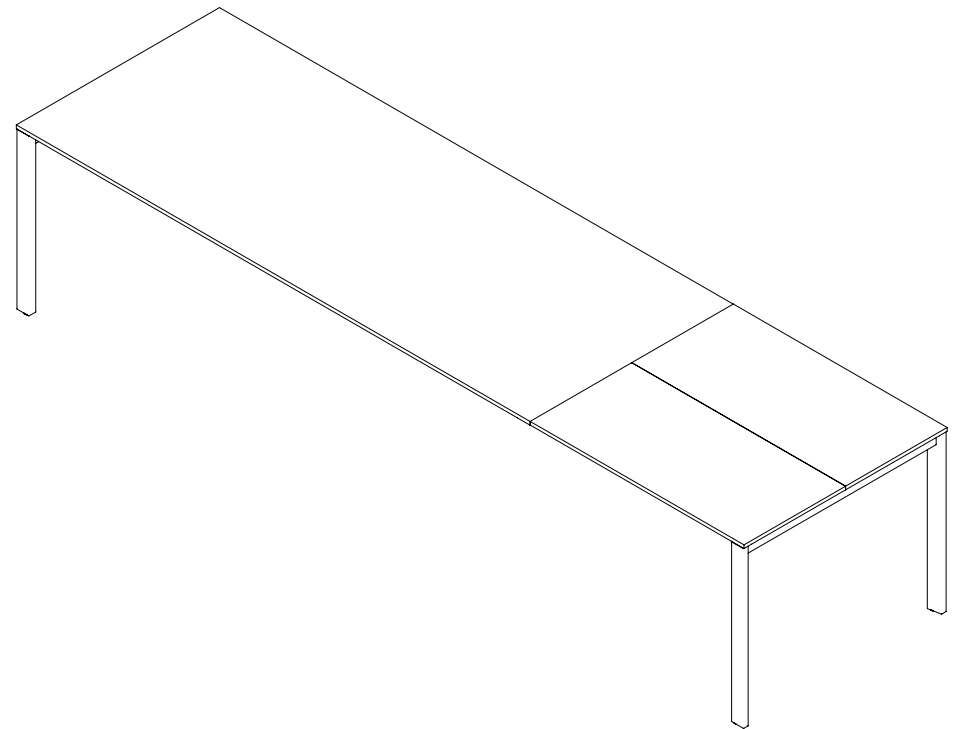
product
Extend 2

designer
Arco Design Team

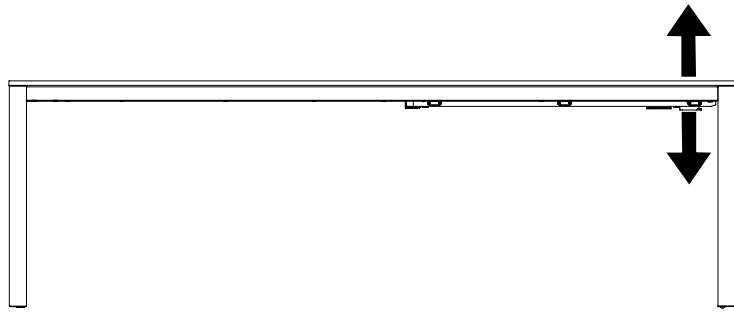
Year
2023



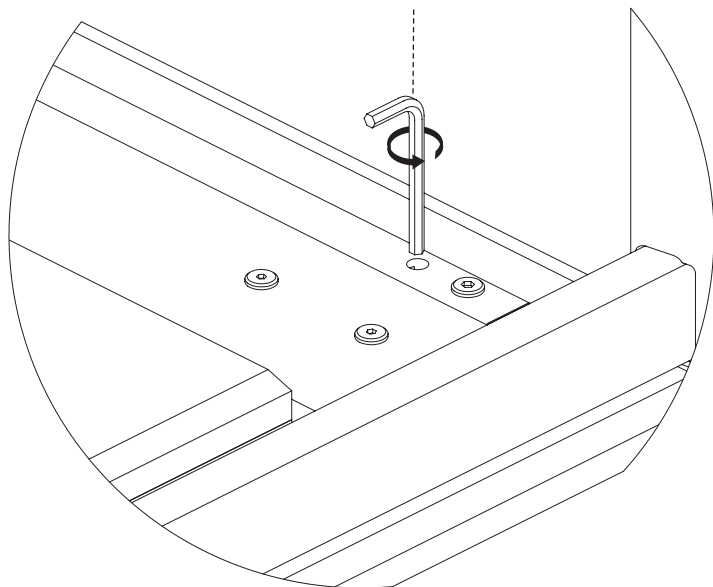
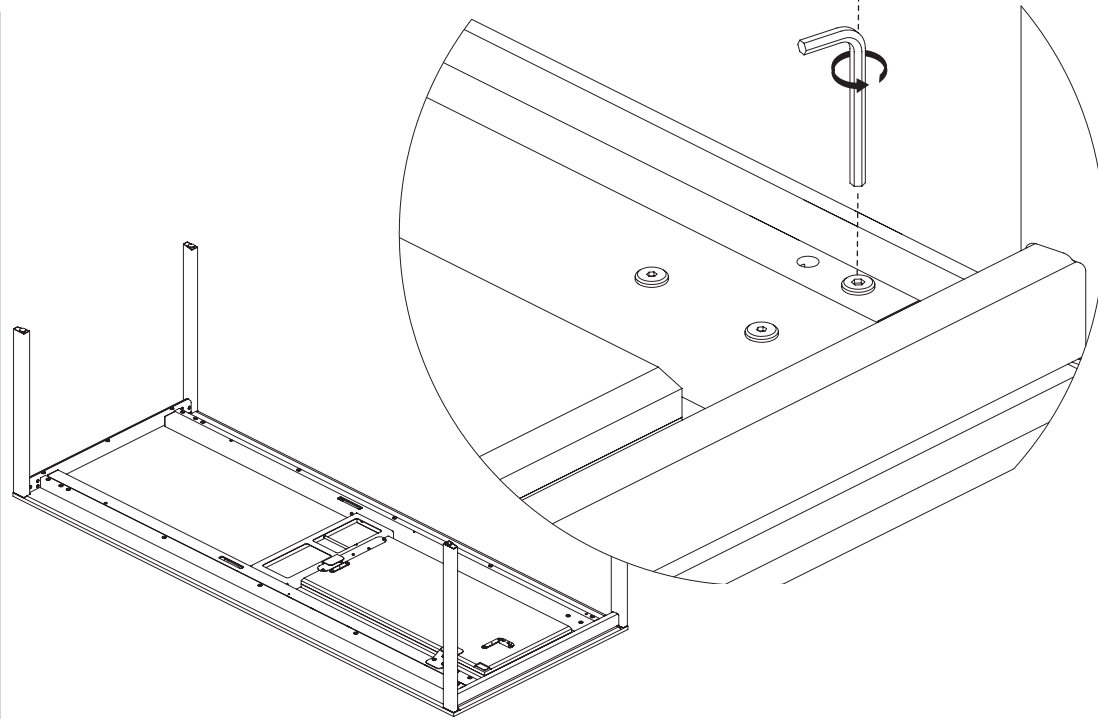
adjustment manual



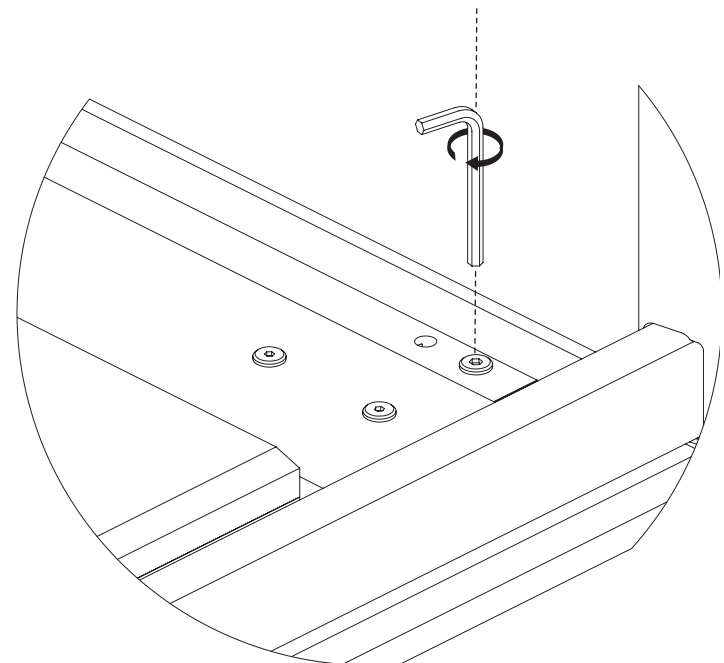
Adjusting main top in height



Loosen the bolts that secure the tabletop.

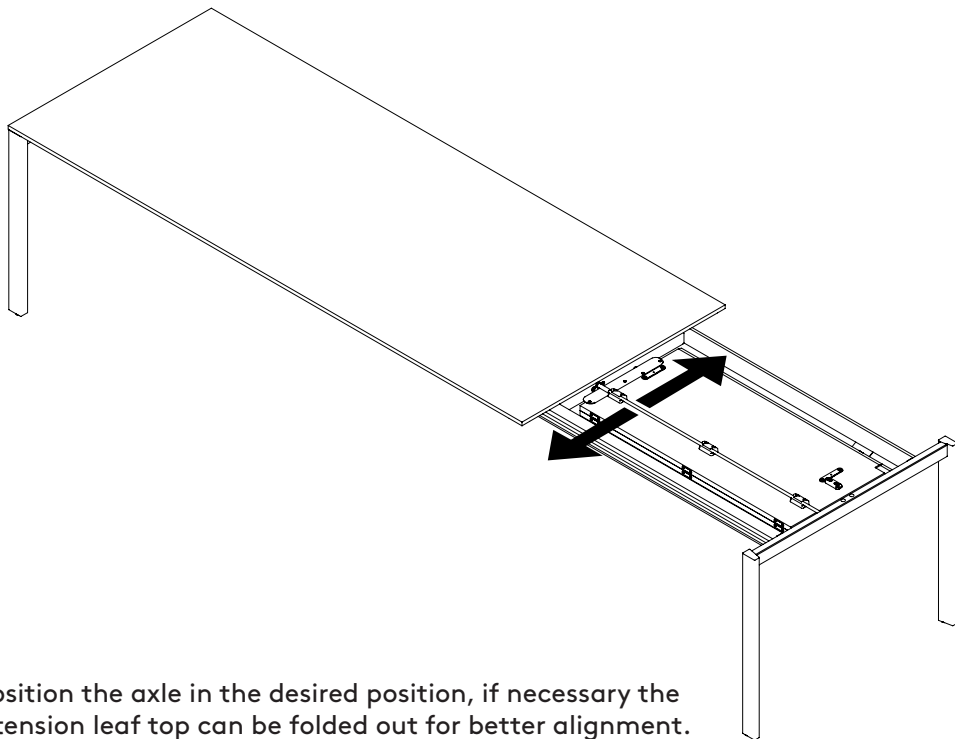


Loosen the bolt under the profile to push the tabletop up.

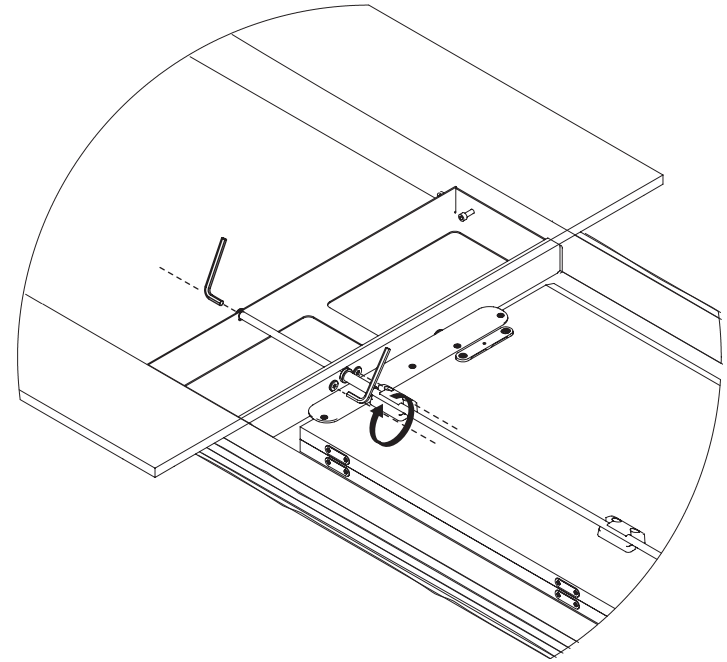


When the correct height is reached, secure the tabletop with the other bolt.

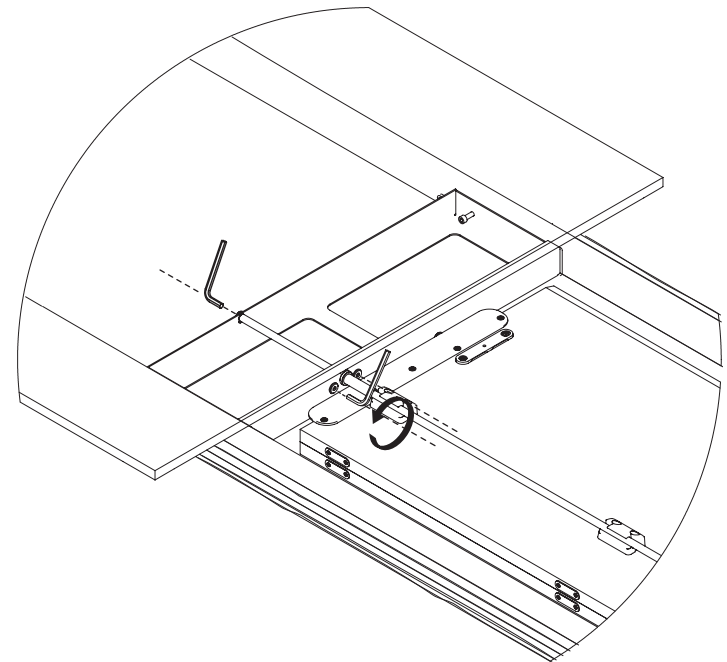
Adjusting extension leaf top in width



Position the axle in the desired position, if necessary the extension leaf top can be folded out for better alignment.

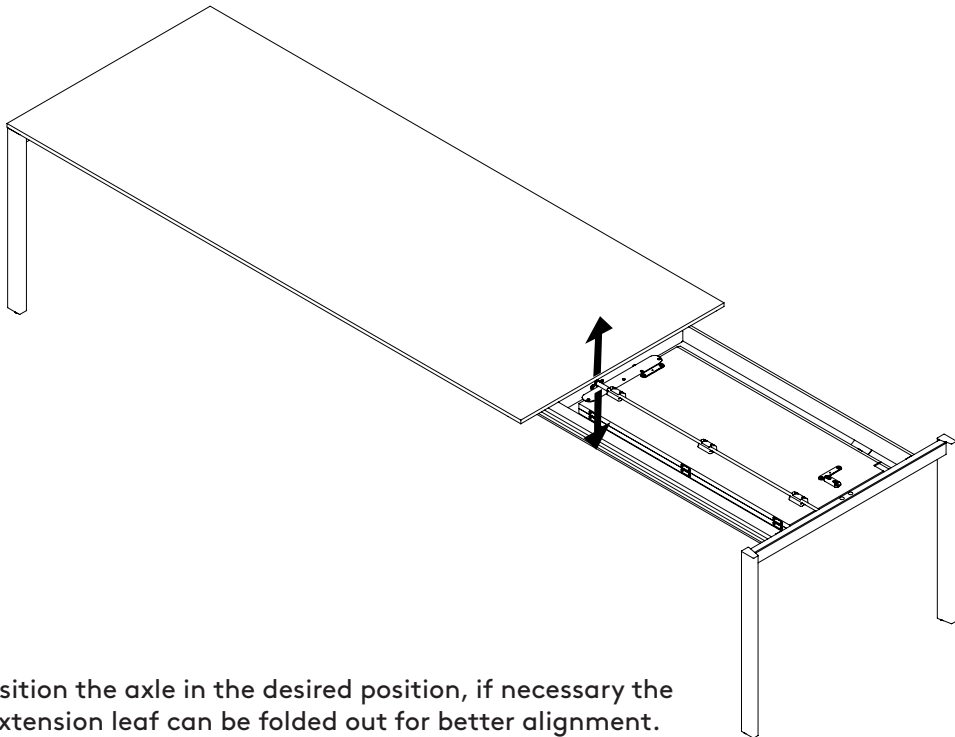
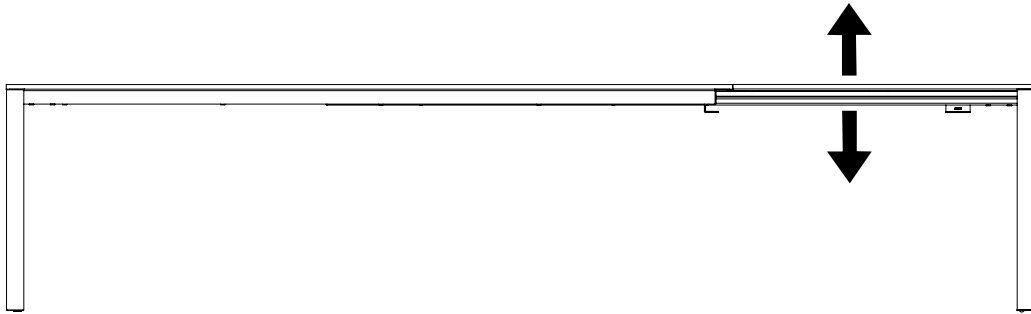


Loosen the 3 bolts so you can move the axle.

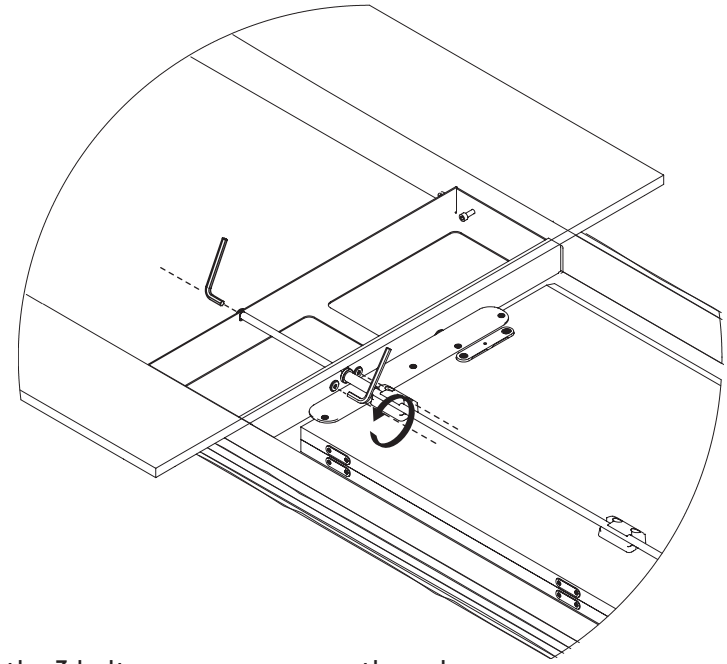


Tighten the 3 bolts while holding the axle in place.

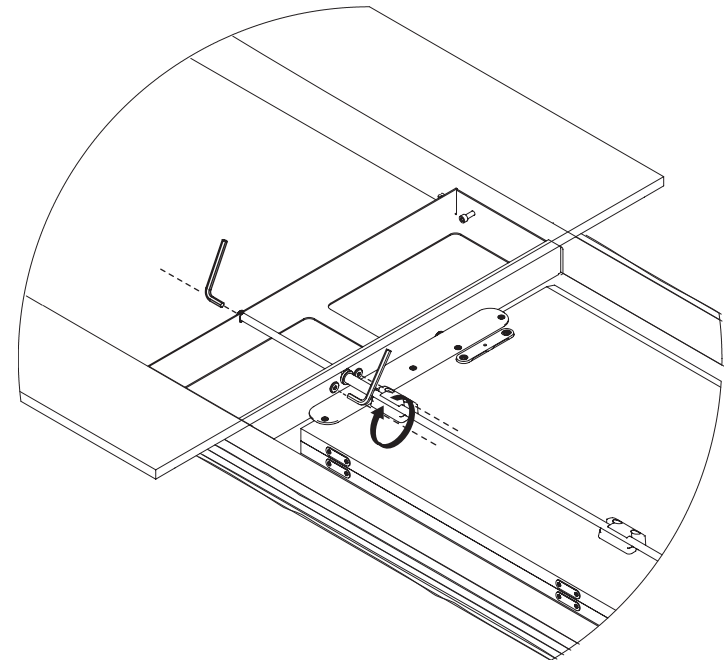
Adjusting extension leaf top in height



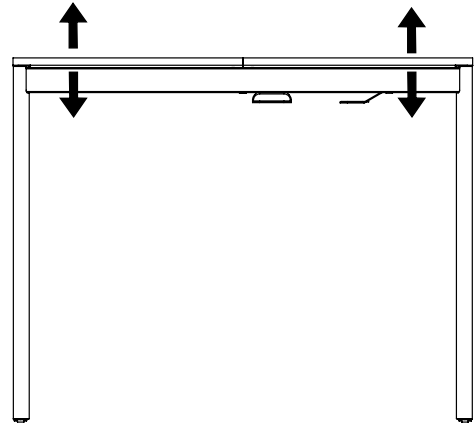
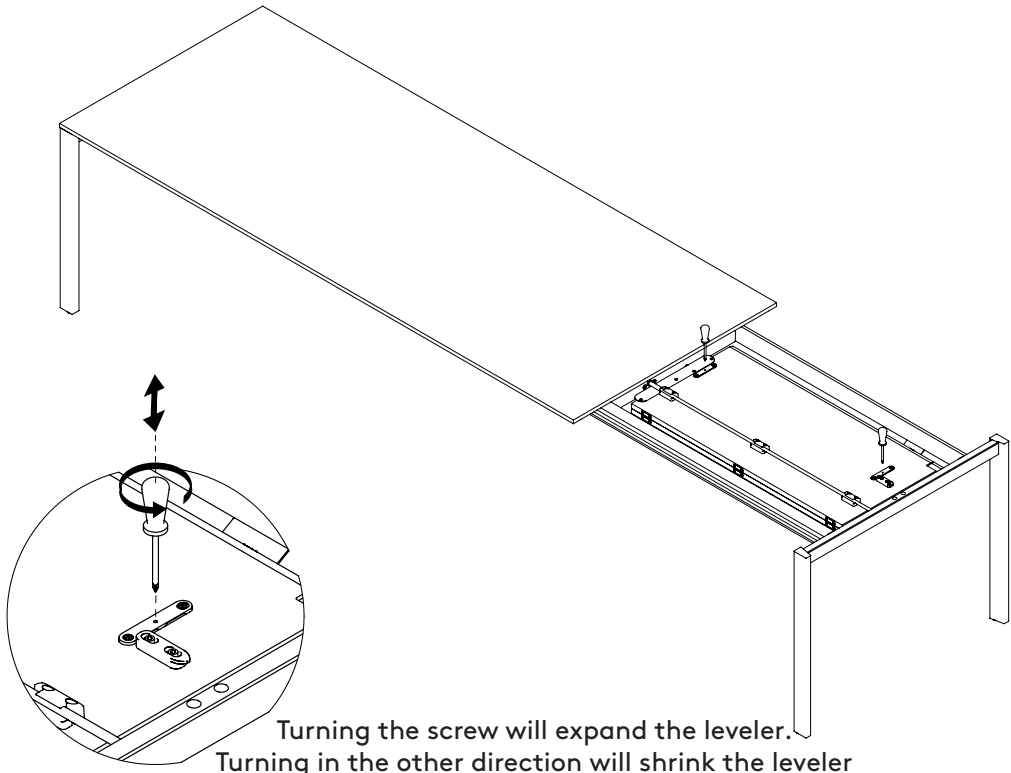
Position the axle in the desired position, if necessary the extension leaf can be folded out for better alignment.



Loosen the 3 bolts so you can move the axle.

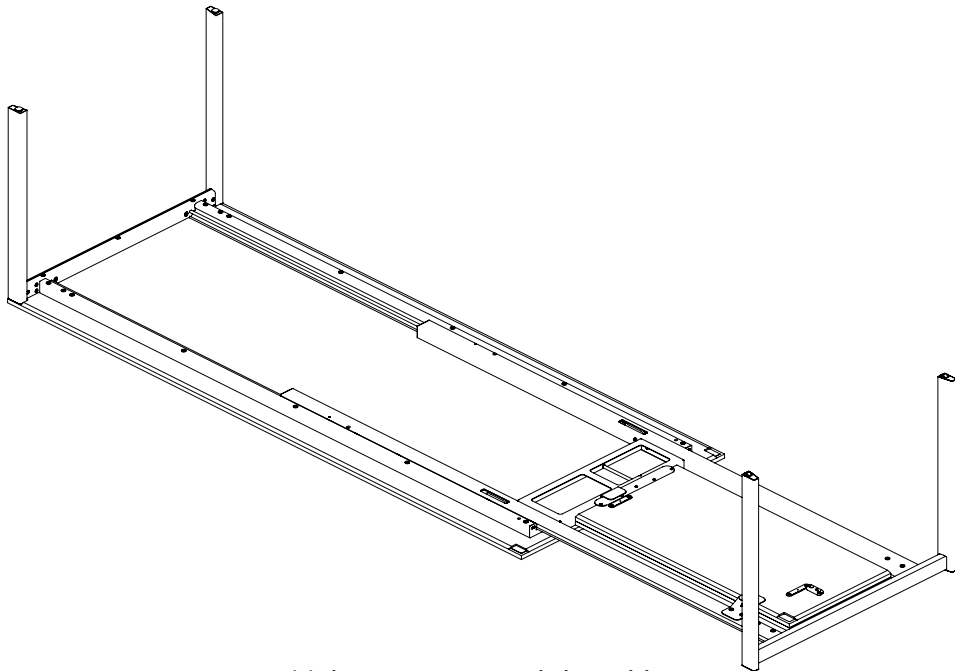
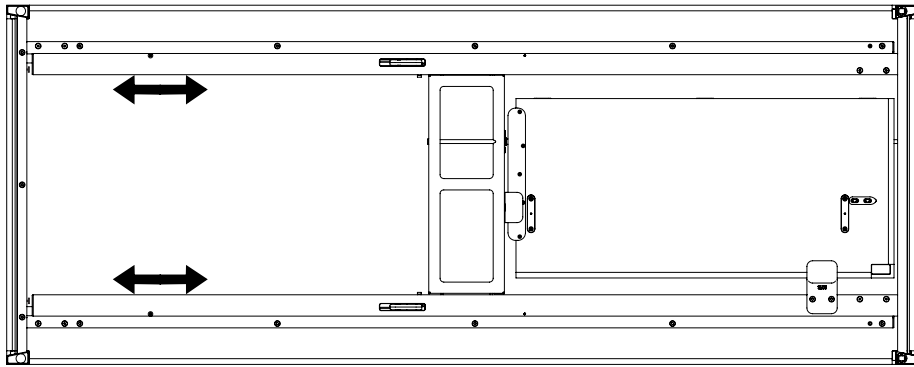


Tighten the 3 bolts while holding the axle in place.

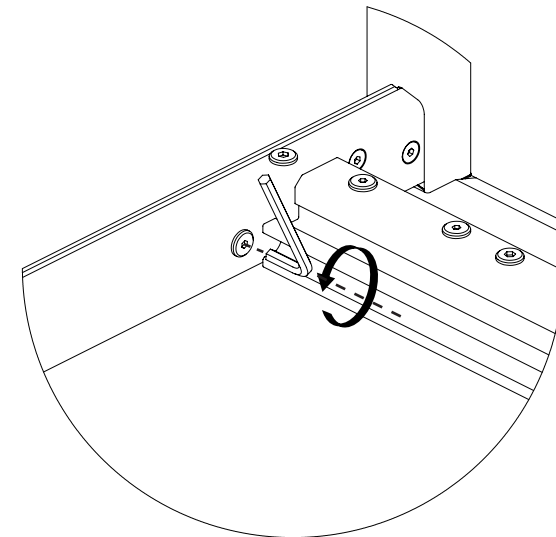
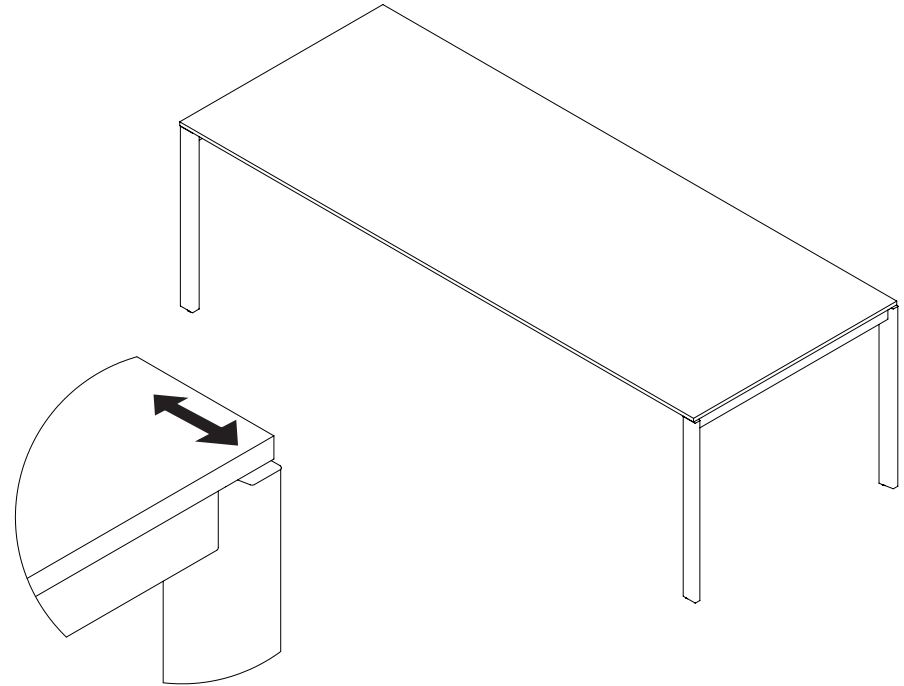


With the leveler you can adjust the outside of the extension leaf to the correct height.

Adjusting the substructure length

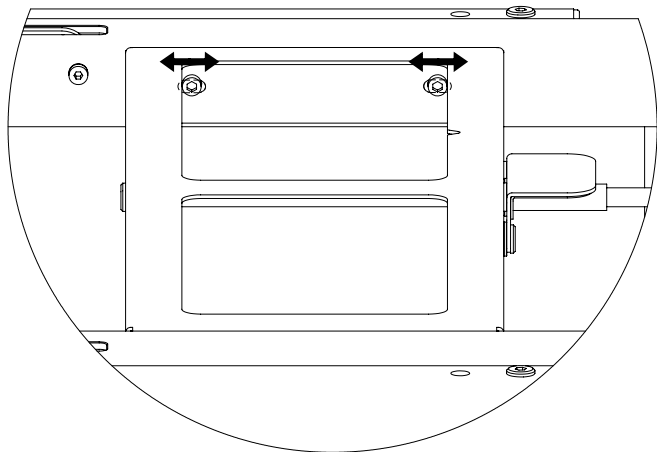
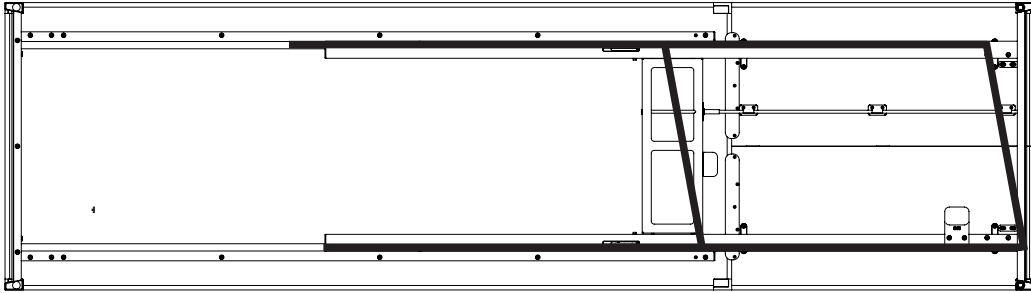


Make sure to extend the table.



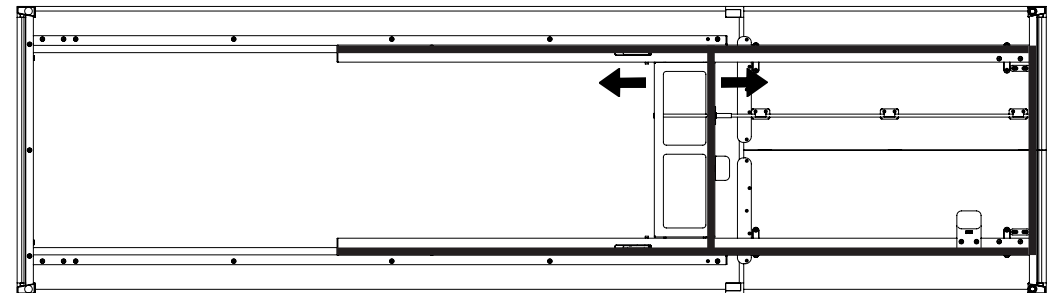
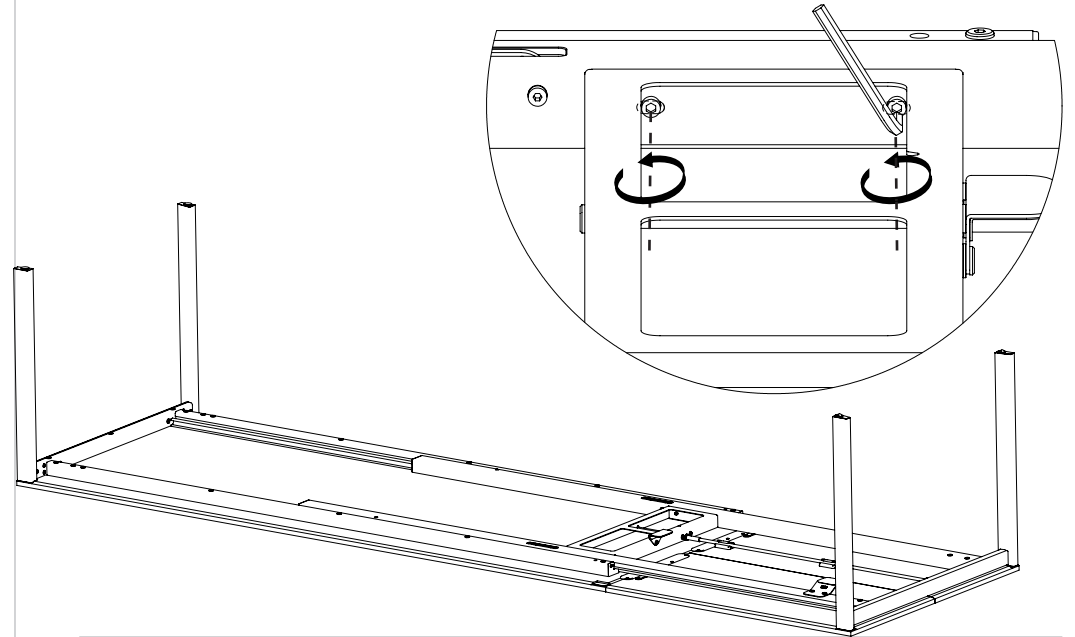
Loosen the 2 bolts to push out the legs. Tighten the 2 bolts to push the legs inwards. Align the legs with the edge of the tabletop.

Adjusting the substructure squareness



Push the tray to the left or the right, align the outside of the legs with the head of the tabletop.

Loosen the 2 fixed bolts.



When the substructure is in the right shape, fix the bolts while pushing the tray in the correct position.